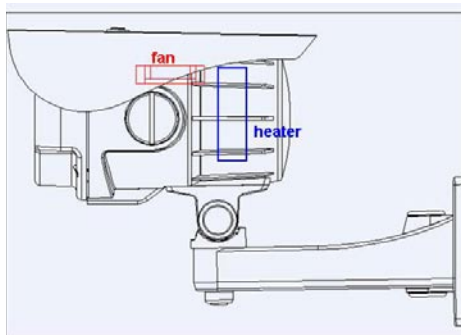


# JV-B761HQ Series

*1/3" Sony Color Super-HI-Res 40M ICR IR Camera , 540TVL , 42LEDs, 3.7-12mm, 9-22mm, Auto-Iris Lens, DC12V,W/HEATER and Fan built-In*



## Features

- External manual focus adjustment.
- Selectable IR projecting distance design (High/Mid/Low)
- External camera function adjustment (BLC, AES, AGC, and FL)
- Built-in 42 pieces IR LED.
- Effective range up to 40 meters.
- Built-in Vari-Focal lens.
- Day & Night (IR Cut Filter Removable, ICR)
- Internal wire system with anti-cut bracket.
- Simple & quick combination providing user-friendly installation & maintenance.
- Weatherproofing IR camera built-in fan and heater (option).

# JV-B761HQ Series

1/3" Sony Color Super-HI-Res 40M ICR IR Camera , 540TVL , 42LEDs, 3.7-12mm, 9-22mm, Auto-Iris Lens, DC12V,W/HEATER and Fan built-In

## SPECIFICATION

Model	JV-B761HQV9V22	JV-B761HQV37V12
Image Device	1/3" Color SONY HI-Res. Super HAD	
Picture Elements	NTSC: 768x494 PAL: 752x582	
Resolution	540 TVL	
Min. Illumination	0.3 Lux / F2.0 (Day) 0 Lux (IR On)	
S/N Ratio	More than 48dB	
Electronic Shutter	NTSC: 1/60S PAL: 1/50S	
Gamma	0.45	
Lens Furnished	Vari-Focal Lens with ICR	
Focal Length	9 - 22mm	3.7 - 12mm
Gain Control	Auto	
Back Light Comp.	On/ Off switchable	
Sync. System	Internal	
Video Output	1 Vp-p / 75 Ohms	
Infrared Luminary	42 pieces IR-LED	
Wavelength	850nm	
Illuminate Distance	Up to 40m, Low/ Mid/ High switchable	
Power Supply	DC12V±10%	
Power Consumption	IR On: High/810mA max, Mid/ 410mA max, Low/ 350mA max IR Off: 220mA max	
Operating Temp.	-10 to 50°C (14 to 122°F)	
Heater Power Consumption	1560mA	
Heater Operating	-40 to 50°C (-40 to 122°F)	