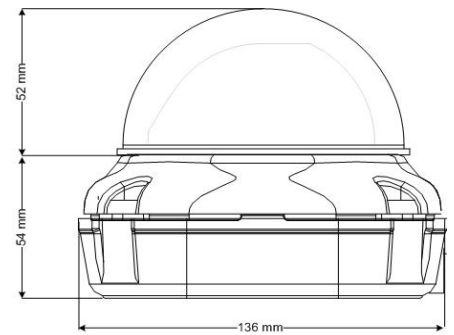
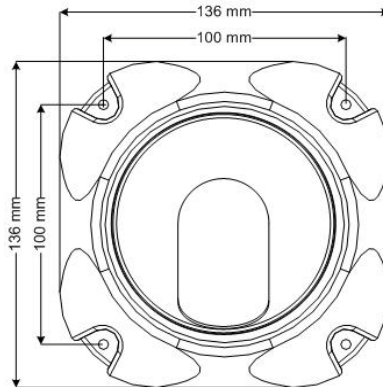


# JL-905IRF36

*1/3" Sony Color 10M IR Med Res. Vandal Resistant Dome Camera*



## Features

- **SONY Super HAD CCD+ SONY DSP**
- **420 TVL**
- **10M IR**
- **IP66 Waterproof**
- **Vandal Resistant Housing / Burglar-proof Screw**
- **DC12V**

# JL-905IRF36

1/3" Sony Color 10M IR Med Res. Vandal Resistant Dome Camera

## Specification

MODEL NUMBER	JL-905IRF36
Sensor Chip	1/3" SONY CCD / SONY 11X DSP
Picture Element	NTSC: 510 (H) × 492 (V)
Scanning Frequency	NTSC:15734Hz(H) 60Hz(V)
High Resolution	420 TV lines or above
Sensitivity	Color mode automatically switches to B/W mode under 5 Lux0.1 Lux (IR OFF) ; 0 Lux (IR ON )
Infrared Ray LED	12 pcs (IR Wavelength : 850nm)
Infrared Ray Distance	10 Meters
Synchronizing System	Internal Sync., 2:1 Interlace
Auto White Balance	Auto
Auto Gain Control	ON/OFF
S/N Ratio	More than 48dB (AGC OFF)
Gamma	0.45
Auto Electronic Shutter	Auto 【 1/60(50) ~ 1/100,000】
Video Output	1.0Vp-p75Ω
Lens Mount	3.6mm board lens
Backlight Compensation	AUTO
Power Requirement	IR ON: DC 12V / 390mA
Dimension / Weight	136 (Ø) x 106 (H) mm / 700g
Operating Temperature	- 10°C ~ + 50°C

Design and specifications are subject to change without notice.